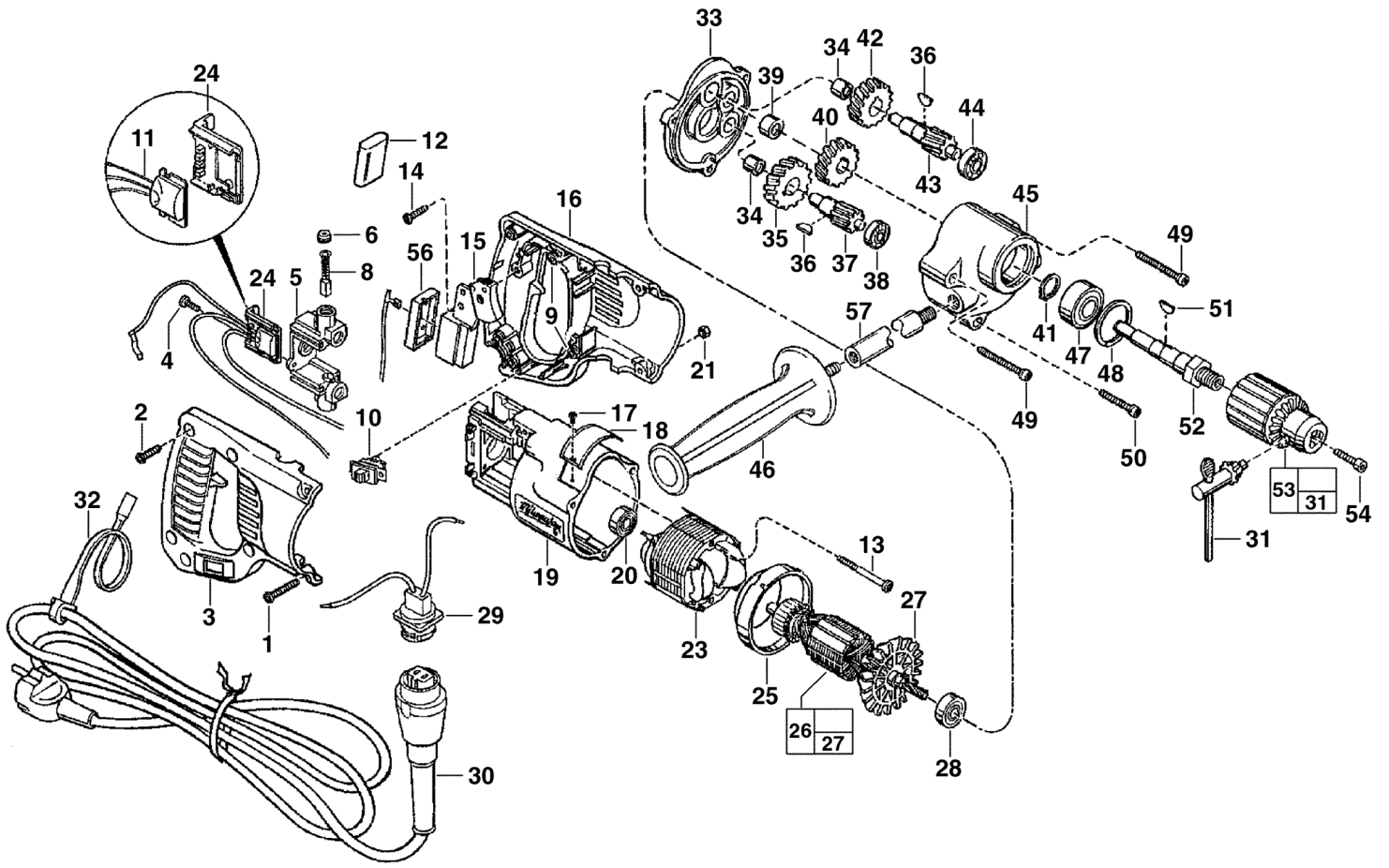


DRILL

110750 - HDE13RQD - 4000384494



Position	Quantity	Description	Part number	EAN
0003	1	HANDLE LEFT	31441666	
0005	1	SERVICE KIT	4931354969	4002395645558
0006	2	BRUSH COVER	23440190	
0008	2	CARBON BRUSH CARBON BRUSH ASSY.	22180915	
0009	2	HOLDING-DOWN DEVICE	14461001	
0010	1	CABLE HARNESS SWITCH & CAP ASSY.	14200685	
0011	1	ELECTRONIC REMOTE ELECTRONIC AS	14200605	
0012	1	CAPACITOR SUPPRESSOR ASSY	14200580	
0015	1	SWITCH	23661979	
0016	1	RIGHT HANDLE HALF	31441661	4002395774524
0018	1	RATING PLATE	12151107	4002395785414
0019	1	HOUSING MOTOR SIDE	31500020	
0023	1	ARMATURE	18320260	4002395852741
0024	1	HOLDING DEVICE HEAT SINK HOLDER	43720176	
0025	1	AIR DEFLECTOR RING	31050055	
0026	1	PIECE PLUS FOURNI,ANNULER VOTRE CDE	16341327	
0027	1	FAN	22840531	
0029	1	CONNECTION SLEEVE	22560120	4002395773985
0030	1	CONNECTION CABLE	4931624171	4002395710799
0033	1	BEARING END PLATE	28280611	
0035	1	GEAR BOX	32401251	
0037	1	SHAFT	36662811	
0040	1	SPINDLE GEAR	32753470	
0041	1	RING	34601200	
0042	1	GEAR BOX	32752051	
0043	1	SHAFT	36669670	
0045	1	GEAR CASE GEAR CASE FINISHED	28141922	
0046	1	HANDLE	43621265	4002395775019
0048	1	RING	34802500	
0052	1	SPINDLE	38505475	
0056	1	GUARD	45120470	
0057	1	HANDLE SIDE HANDLE EXTENSIO	43621170	
0031	1	CHUCK KEY Ch Key P1M	48663280	45242157556
0053	1	CHUCK	48661360	45242156542