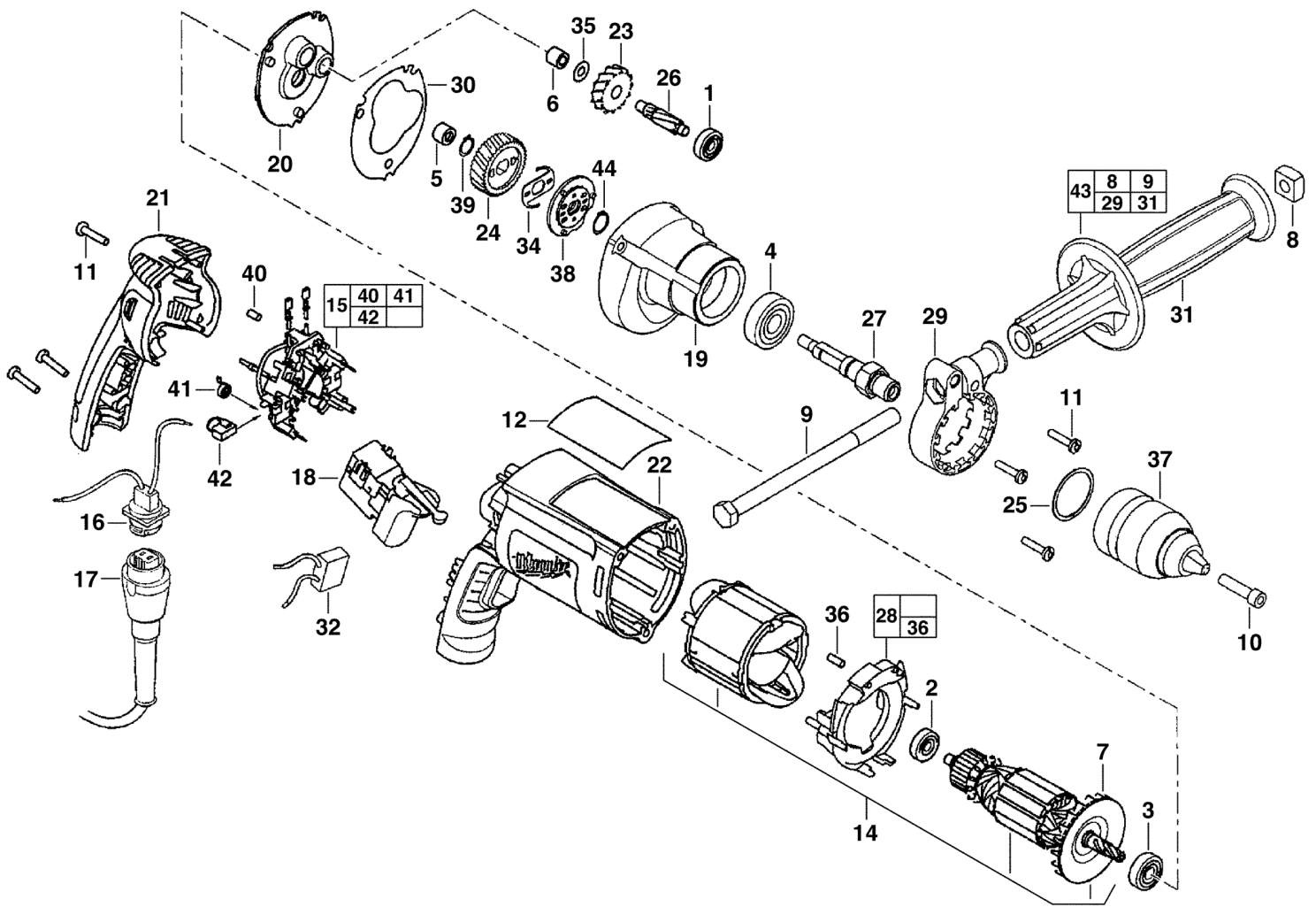


DRILL

030250 - HDE13RQX - 4000384492



Position	Quantity	Description	Part number	EAN
0007	1	FAN	22840845	
0012	1	TYPE PLATE	12992673	4002395785896
0014	1	MOTOR ASSEMBLY	290820009	4002395830312
0015	1	BRUSH HOLDER COMPL.	22181220	
0016	1	CONNECTOR	22561015	
0017	1	CONNECTION CABLE	4931624171	4002395710799
0018	1	SWITCH	23662135	
0019	1	GEAR CASE	28142390	
0020	1	BEARING END PLATE	28282320	
0021	1	HANDLE	31152030	
0022	1	MOTOR HOUSING	31502030	4002395893799
0023	1	GEAR	32400100	4002395824304
0024	1	SPINDLE GEAR	32750101	4002395799053
0025	1	RING	34802300	
0026	1	REDUCT. GEAR SHAFT	36660100	
0027	1	SPINDLE	38505752	
0028	1	SET	42140450	
0029	1	HANDLE	42680800	
0030	1	GASKET	43440985	
0031	1	HANDLE	43620845	
0032	1	CAPACITOR	22330550	
0034	1	PROTECTION WASHER	40508525	
0035	1	WASHER	45887990	
0036	2	BALL	45300030	
0038	1	SPINDLE	14290040	
0039	1	LOCKING RING	34600810	
0040	1	STOPPER	45300035	
0041	2	SPRING	23521610	
0042	2	CARBON BRUSH	22181320	
0043	1	HANDLE	49150265	45242178346
0044	1	LOCKING RING	34600900	
0037	1	CHUCK 1ChKL1,5-13 1/2x20P1M	48661575	45242156832