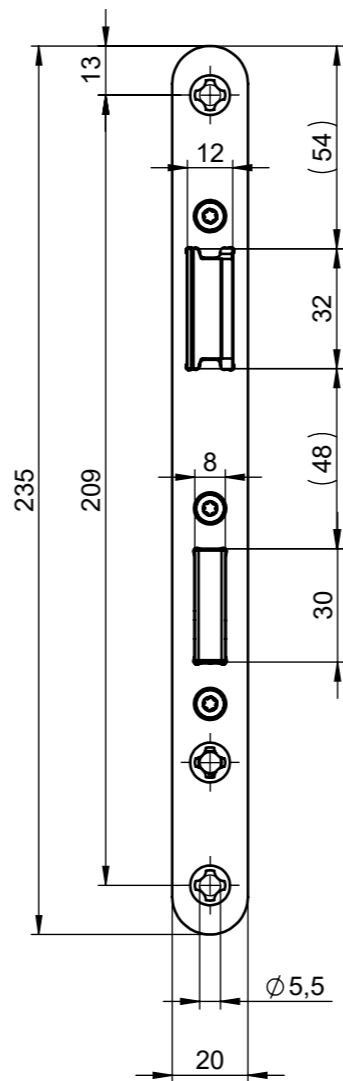
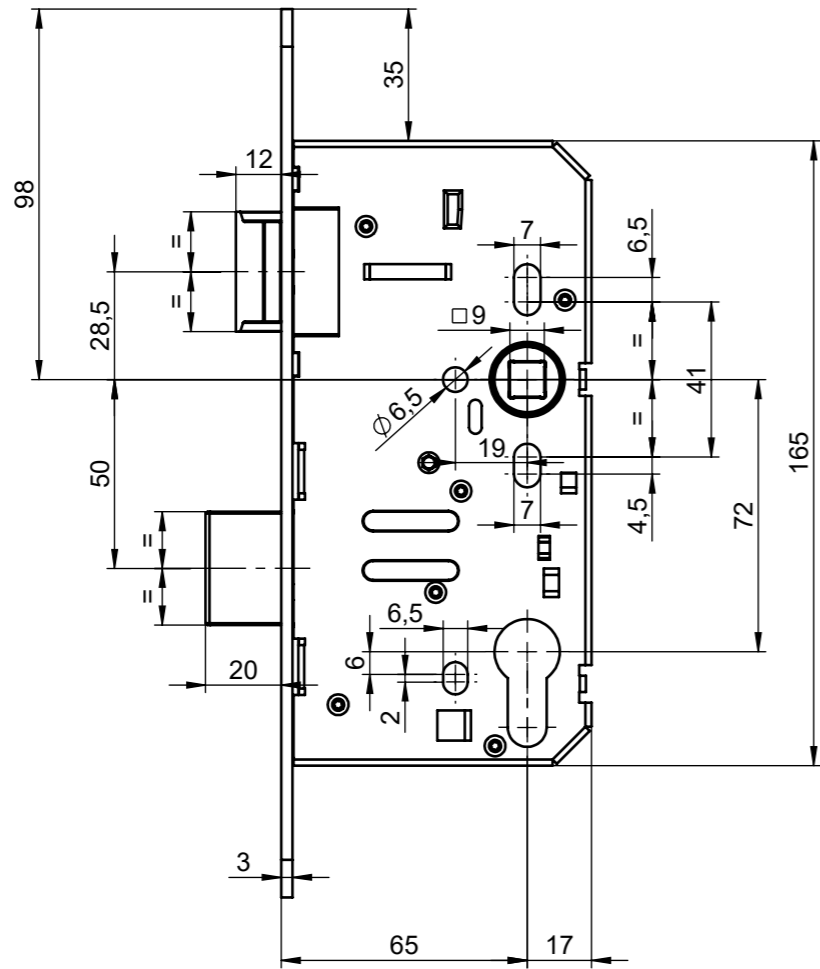


This work is copyright and no part may be reproduced, by any process, nor may any other exclusive right be exercised without the permission of ASSA ABLOY.



Surface treatment:			Material:			General tolerance:		
Volume: 65359.01 mm <sup>3</sup>	Mass: 491.19 gram	Surface area: 72452.03 mm <sup>2</sup>	Created (YYYY-MM-DD):	Designed by: AITa	Drawn by: AITa	Scale: 1:2 (A3)	Projection: 	
<b>ASSA ABLOY</b> ASSA ABLOY Sicherheitstechnik GmbH			Sashlock Mortiselock Assy			Alternate ID		Document ID <b>D001620533-000</b>
			Low Budget Panic E D72B000SQ00			Rev.: <b>1</b>		